

AP-105 Ceiling Mounting Kit

Installation Guide

The AP-105 ceiling mounting kit provides additional ceiling mounting options for the AP-105 wireless access point (AP). The ceiling mounting kit includes the following items:

- Adapter for 15/16-inch (2.4-cm) ceiling tile rails. Use this adapter to mount the AP on rails that are recessed above the surface of the ceiling tile.
- Adapter for 9/16-inch (1.4 cm) ceiling tile rails. Use this adapter to adapt the integrated mounting tabs to narrower rails (recessed or flush).

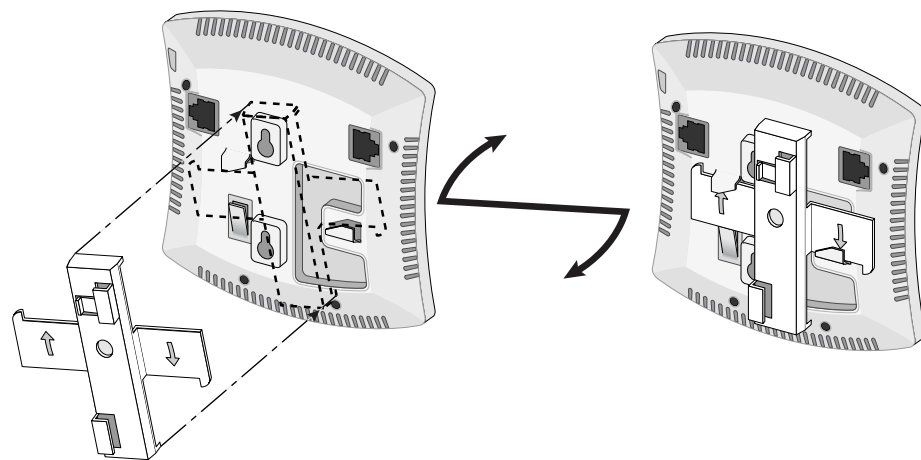
Using the Ceiling Rail Adapter

The AP-105 enclosure provides integrated mounting tabs that are designed to snap onto a standard, non-recessed 15/16-inch (1.4 cm) ceiling tile rail; the optional mounting kit is not required for this installation. The mounting kit includes adapters that allow you to mount the AP-105 unit on a recessed or non-recessed standard 9/16-inch (1.4 cm) rail or on a recessed standard 15/16-inch (1.4 cm) rail

To attach either ceiling rail adapter to the AP-105:

1. Place the adapter against the back of the AP with the adapter at an angle of approximately 30 degrees to the tabs (see [Figure 1](#)).
2. Twist the adapter clockwise until it snaps into place in the tabs (see [Figure 1](#)).

Figure 1 Attaching the Ceiling Mount Adapter



AP105_006

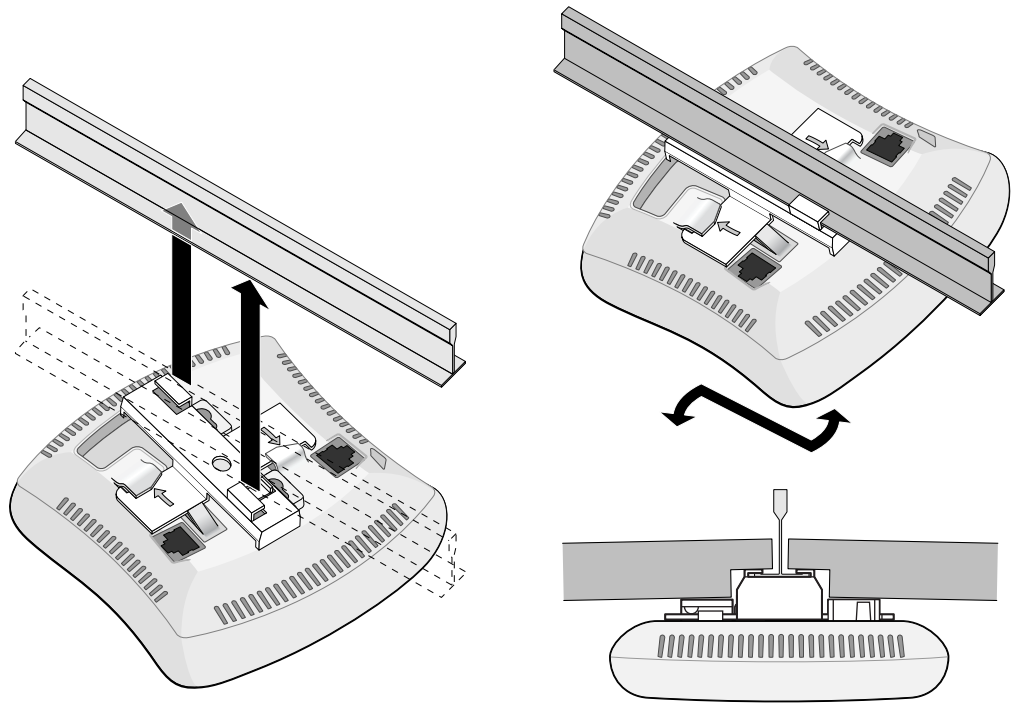
After the adapter is attached to the AP, mount the AP on a ceiling tile rail as follows:

1. Align the AP with a ceiling tile rail, placing the AP so that the mounting tabs on the adapter are at an angle of approximately 30 degrees to the ceiling tile rail (see [Figure 2](#)).

Make sure that slack in connected cables is above the ceiling tiles.

2. Pushing toward the ceiling tile, rotate the AP clockwise until it clicks into place on the ceiling tile rail (see [Figure 2](#)).

Figure 2 *Mounting the AP*



AP105_007